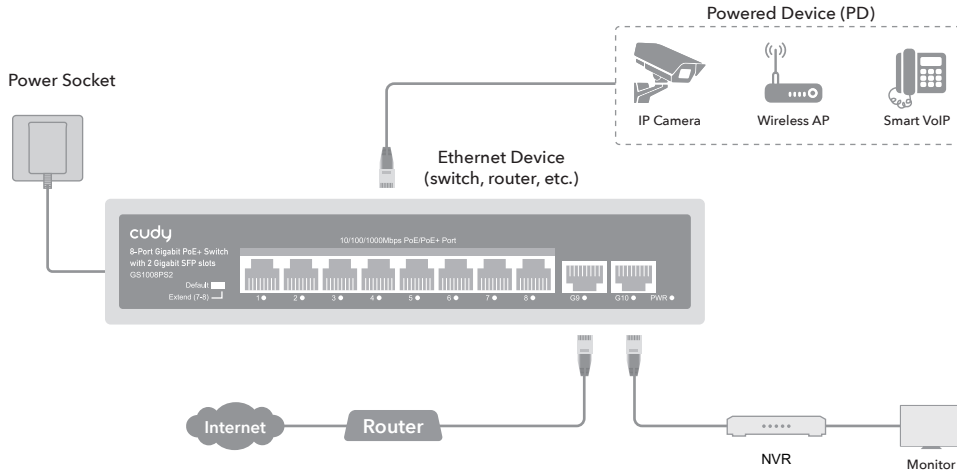
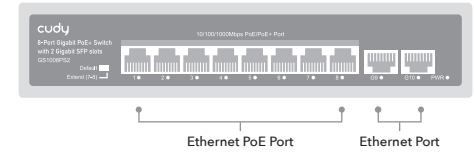


1 Hardware Connection

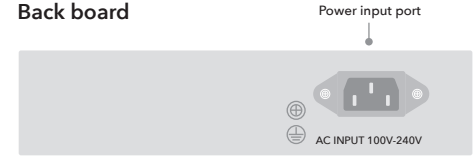


2 Physical Appearance

Front board



Back board



3 Specifications

Model	GS1008PS2
PoE Standard	IEEE802.3 / IEEE802.3u
POE port output	IEEE802.3x / IEEE802.3af/at
PoE Protocol	IEEE802.3at (30W) and IEEE802.3af (15.4w)
Output	Power over spare pairs 1/2(+), 3/6 (-)
Input Voltage	AC 100-240 V 50-60Hz
Supply Power	52V ~ 2.3A
Total Power	120W
Dimension(L×W×H)	220mm*161mm*44mm

Bandwidth	20Gbps
Pack forward rate	14.88Mpps
Memory cache	448Kb
MAC address	2K
Jumbo Frame	9216bytes
Working Environment	Working Temperature: -10~50°C Storage Temperature: -40~70°C Working Humidity: 10%~90%, non-condensing Storage Temperature: 5%~90%, non-condensing

4 DIP Explanation

Default	Standard Switch	Common mode, all interfaces can communicate with each other, the transmission distance is less than 100 meters, the transmission rate is 10/100/1000M adaptive; The port AI mode is disabled.
Extend	Link Extension	Link extension mode, 7-8 ports force 10M, link 250M (enable POE watchdog)

Quick Installation Guide

Model: GS1008PS2

5 LED and Interface Explanation

PWR	Power LED	ON	Powered
		OFF	No power
1-10 Green Light (Link&Data)		ON	On: Link normal
		OFF	Off: Link blocked
		Flashing	Flashing: Data transmitting

EU declaration of conformity

Cudy hereby declares that the device is in compliance with the essential requirements and other relevant provisions of directives 2014/30/EU, 2014/35/EU, 2009/125/EC and 2011/65/EU. The original EU declaration of conformity may be found at <http://www.cudy.com/>

Email: support@cudy.com