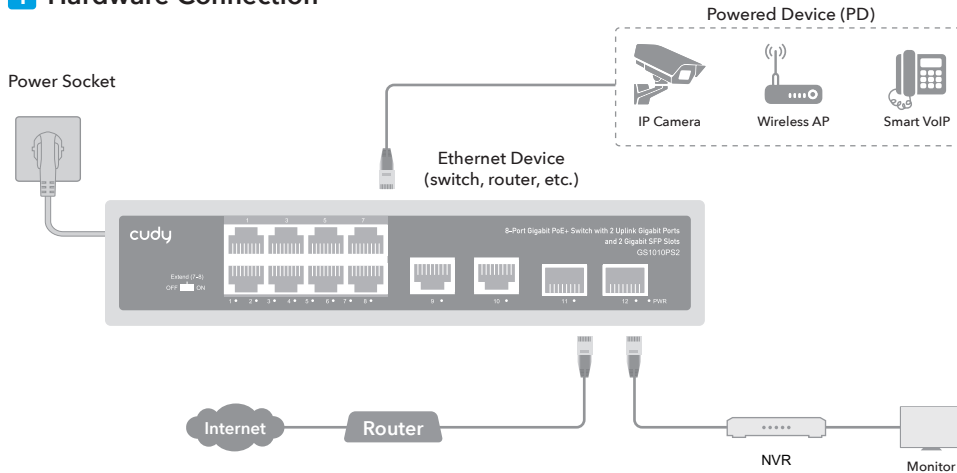
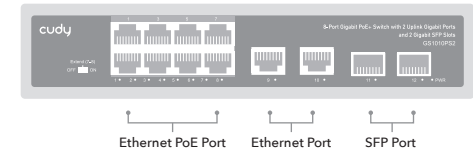


## 1 Hardware Connection

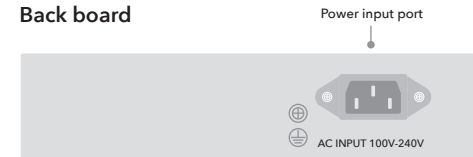


## 2 Physical Appearance

### Front board



### Back board



## 3 Specifications

Model	GS1010PS2
Power	Input: AC 100-240V, 50/60Hz
Ethernet	8* Gigabit PoE Ports 2* Gigabit RJ45 Uplink Ports 2* Gigabit SFP Ports
Switching Capacity	24 Gbps
Max Forwarding Rate	17.856 Mpps
Packet Buffer	448 Kbit
MAC Address	2 K
Jumbo Frame	15 KB
Transfer Mode	Store and forward
MTBF	100000 hour
Product Size	220×161×44 mm

Supply Power	52 V ~ 2.3 A
POE Power	Maximum 110W
Working Temperature	-10~50°C
Storage Temperature	-40~70°C
Network Protocols	IEEE802.3 (10Base-T) / IEEE802.3u (100Base-TX) IEEE802.3ab (1000Base-TX) / IEEE802.3z (1000Base-FX) IEEE802.3x (Flow control)
PoE Protocols	IEEE802.3af (15.4W) IEEE802.3at (30W) 10Base-T : Cat3/4/5 or above UTP (≤100m)
Network Medium	100Base-TX : Cat5 or above UTP (≤100m) 1000Base-TX : Cat5 or above UTP (≤100m)
Optical Media	Multimode fiber : 50/125, 62.5/125, 100/140μm Single mode fiber: 8/125, 8.7/125, 9/125, 10/125μm

## 4 DIP Explanation

Default	Standard Switch	Common mode, all interfaces can communicate with each other, the transmission distance is less than 100 meters, the transmission rate is 10/100/1000M adaptive; The port watchdog is disabled.
Extend	Link Extension	Link extension mode, 7-8 ports force to 10 Mbps, link 250M (enable PoE watchdog)

## Quick Installation Guide

Model: GS1010PS2

## 5 LED and Interface Explanation

PWR	ON	Power on
	OFF	No power
Link ACT	ON	Link connected
	OFF	Link disconnected
	Flashing	Data transmitting

### EU declaration of conformity

Cudy hereby declares that the device is in compliance with the essential requirements and other relevant provisions of directives 2014/30/EU, 2014/35/EU, 2009/125/EC and 2011/65/EU. The original EU declaration of conformity may be found at <http://www.cudy.com/>

Email: [support@cudy.com](mailto:support@cudy.com)



Email:  
[support@cudy.com](mailto:support@cudy.com)



Website:  
[www.cudy.com](http://www.cudy.com)