

4 Specifications

Model	POE40
Data Speed	10/100/1000 Mbps half/full duplex
Power over Ethernet input	Pin Assignment and Polarity: Both 1/2, 3/6 and 4/5, 7/8
Power over Ethernet Output	Pin Assignment and Polarity: 1/2 (+), 3/6 (-) Output Power: Up to 12W for 4 PSE or MAX 30W for 2 PSE
Indicator	Power indicator: PoE enabled Powered success: Power Network indicator: Link/Act
Connectors	Shielded RJ-45, EIA 568A and 568B
Network cables	Shielded category 5 (or higher)
Dimensions	119mm x 85mm x 28mm
Mounting	Wall or shelf

Environment	Indoor
Regulatory Compliance	IEEE 802.3af (15.4W) IEEE 802.3at (30W) IEEE802.3bt 4Pairs (60W)
Operating Temperature	0 to 40°C
Operating Humidity	Maximum 90%, Non-condensing
Storage Temperature	-40 to 60°C
Storage Humidity	Maximum 95%, Non-condensing

CE Mark Warning

This is a class B product. In a domestic environment, this product may cause radio interference, in which case the user may be required to take adequate measures.

EU declaration of conformity

Cudy hereby declares that the device is in compliance with the essential requirements and other relevant provisions of directives 2014/30/EU, 2014/35/EU, 2015/863/EU, 2009/125/EC and 2011/65/EU. The original EU declaration of conformity can be found at <http://www.cudy.com/ce>

For support and warranty, please visit: <http://www.cudy.com/>. Specifications are subject to change without notice. Cudy is a registered trademark of Shenzhen Cudy Technology Co., Ltd. Other brands and product names are trademarks or registered trademarks of their respective holders. Copyright©2022 Shenzhen Cudy Technology Co., Ltd. All rights reserved.



RoHS

Made in China

810600153



Quick Installation Guide

Model: POE40

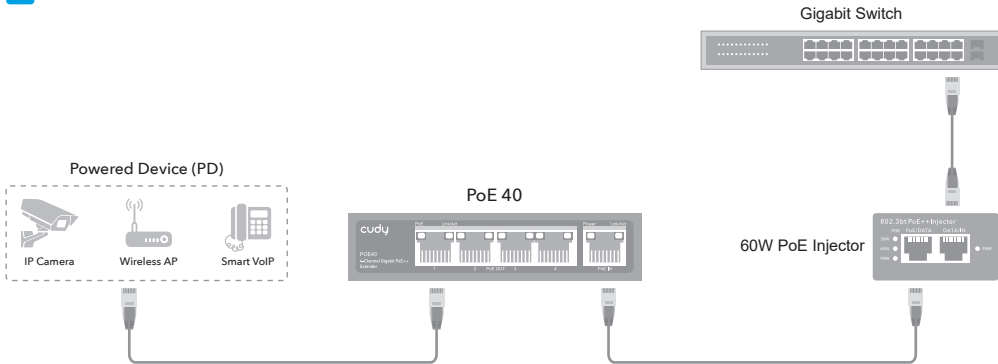


Email:
support@cudy.com

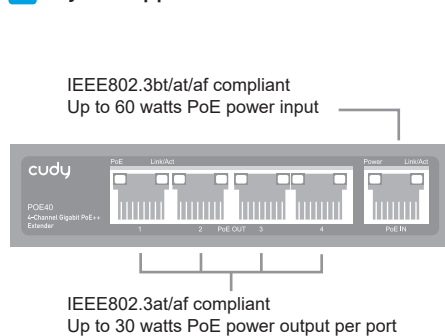


Website:
www.cudy.com

1 Hardware Connection



2 Physical Appearance



3 LED and Interface Explanation

Power	Orange	Lighting: Powered Un-Light: No power
Link/Act	Green	Lighting: Link connection Un-Light: Link disconnect
POE	Orange	Lighting: PD is connected Un-Light: No PD is connected or power forwarding fails